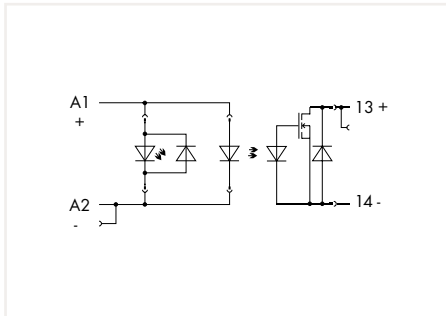
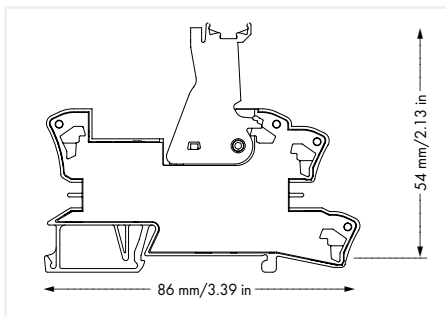


Solid-State Relay Module 788 Series



Solid-State Relay Module; Output voltage range: 0 ... 24 VDC; Limiting continuous current: 3.5 A; 2-wire connection; Status indicator: red; 15 mm wide

U_N	I_N	Item No.	Pack. Unit
24 VDC	7 mA	788-700	20



Note:

A separator plate (e.g., 209-191) must be used for voltages greater than 250 V between adjacent relay modules and for compliance with the reinforced insulation requirements.

Control Circuit

Input voltage range (low level)	0 ... 8 VDC
Input voltage range (high level)	18 ... 30 VDC

Load Circuit

Circuit type	2-wire connection
Limiting continuous current	3.5 A
Output voltage range	0 ... 24 VDC
Voltage drop (output) max.	≤ 0.1 VDC
Turn-on time	≤ 50 μs
Turn-off time	≤ 600 μs
Switching frequency	≤ 100 Hz

Signaling

Status indicator	Red LED
------------------	---------

Safety and Protection

Pollution degree	2
Dielectric strength, control/load circuit (AC, 1 min)	2.5 kV _{rms}
Protection type	IP20

Connection Data

Connection technology	Push-in CAGE CLAMP®
Solid conductor	0.34 ... 2.5 mm ² / 22 ... 14 AWG
Fine-stranded conductor	0.34 ... 2.5 mm ² / 22 ... 14 AWG
Strip Length	9 ... 10 mm / 0.35 ... 0.39 inch

Physical Data

Width	15 mm / 0.591 inch
Height from upper-edge of DIN-rail	54 mm / 2.126 inch
Depth	86 mm / 3.386 inch

Mechanical Data

Mounting type	DIN-35 rail
---------------	-------------

Material Data

Weight	41.7 g
--------	--------

Environmental Requirements

Surrounding air temperature (operation at U_N)	-20 ... +60 °C
Surrounding air temperature (storage)	-40 ... +70 °C
Processing temperature	-25 ... +50 °C

Standards and Specifications

Standards/specifications	EN 61000-6-2; EN 61000-6-3; EN 61373; EN 61010-2-201; UL 508
--------------------------	--